

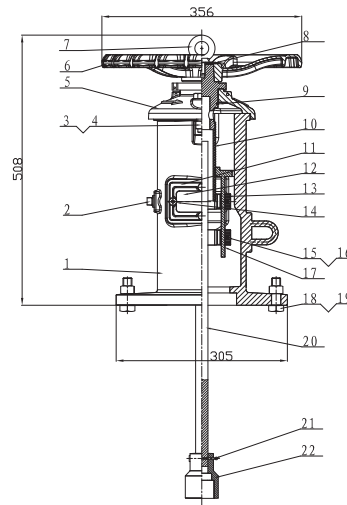
Wall Indicator Post (WP), UL/FM Approved



WP



- **Statement:**
Wall indicator post provides a means to operate a valve installed behind a wall and able to indicate the open or shut position of the valve.
- **Coating:**
Fusion Bonded Epoxy Coating in accordance with ANSI/AWWA C550



MATERIAL SPECIFICATION

Part No.	Part	Standard Specification
1	Body	Cast Iron EN-GJL-200
2	Plug	Malleable Iron
3	Square Nut	Carbon Steel Zinc Plated
4	Hex Bolt	Carbon Steel Zinc Plated
5	Cover	Cast Iron EN-GJL-200
6	Hand Wheel	EN-GJS-450-10
7	Eye Bolt	Carbon Steel Zinc Plated
8	Gasket	Carbon Steel Zinc Plated
9	Snap Ring	Spring Steel
10	Operating Nut	SS304
11	Gasket	EPDM
12	Window Glass	Plexiglass
13	Target	Cast Aluminum
14	Hex Bolt	Carbon Steel Zinc Plated
15	Hex Bolt	Carbon Steel Zinc Plated
16	Hex Nut	Carbon Steel Zinc Plated
17	Target Carrier Nut	SS304
18	Hex Nut	Carbon Steel Zinc Plated
19	Hex Bolt	Carbon Steel Zinc Plated
20	Stem 1" Square	Carbon Steel
21	Cotter Pin	SS304
22	Socket	ASTM A536, 65-45-12

Note: For special material request other than standard specification, please indicate clearly on the inquiry or order list;